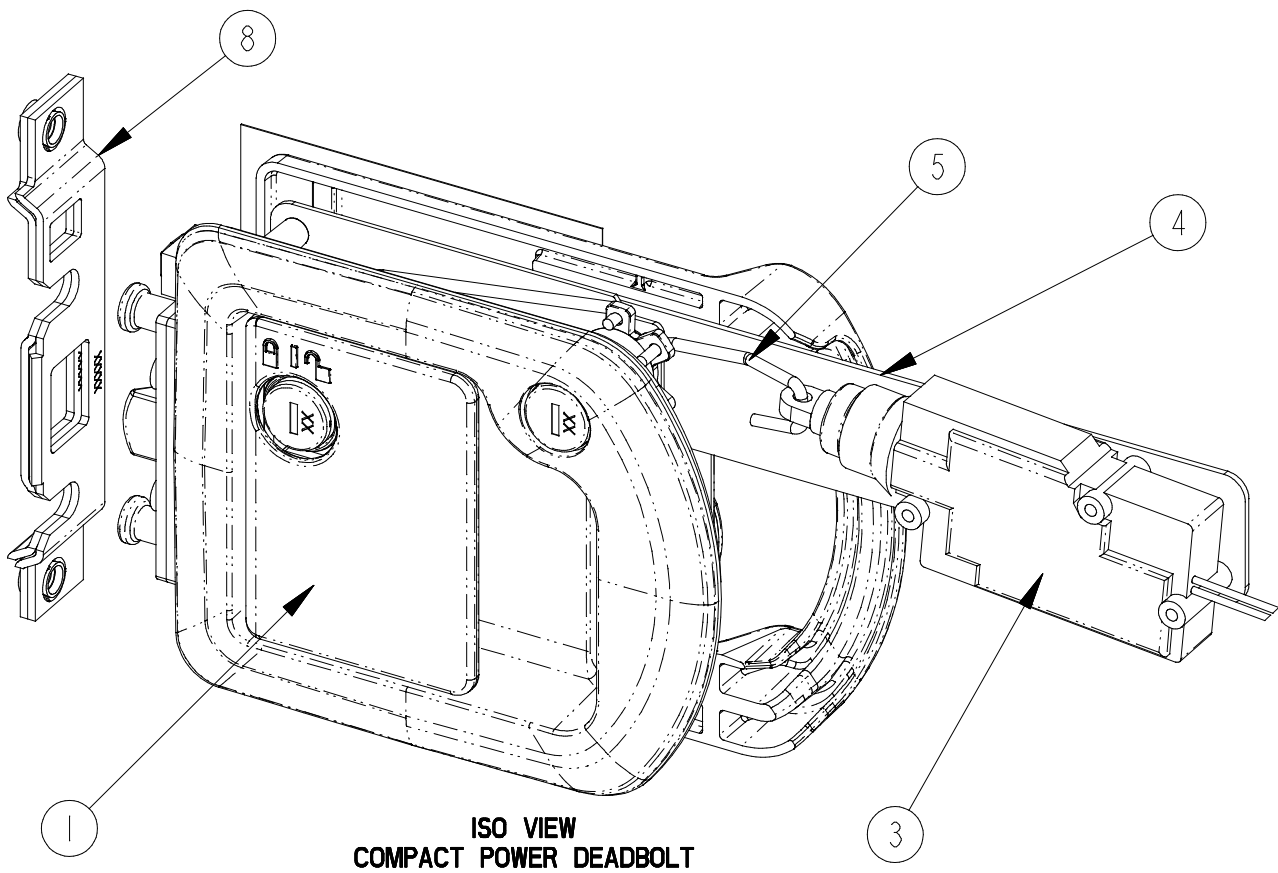


A	PRE-RLSE	BJP 11/20/13	CREATED
---	----------	-----------------	---------

2	10	15554-01	POWER BRACKET MOUNT FASTENERS	2
	9	19935-02	POWER ACTUATOR MOUNT FASTENERS	3
	8	12156-15	STRIKE ASSEMBLY	1
	7	22030-01	DOOR EDGE MOUNT FASTENERS	2
	6	22029-01	INSIDE/OUTSIDE MOUNT FASTENERS	3
1	5	29396-01	POWER LOCK ROD	1
	4	29397-01	POWER ACTUATOR MOUNT BRACKET	1
	3	18677-XX	POWER ACTUATOR	1
	2	31073-02, -03, -05	INSIDE ASSEMBLY	1
	1	29412-02 THRU -12	OUTSIDE ASSEMBLY	1
<b>COMPACT POWER DEADBOLT</b>				

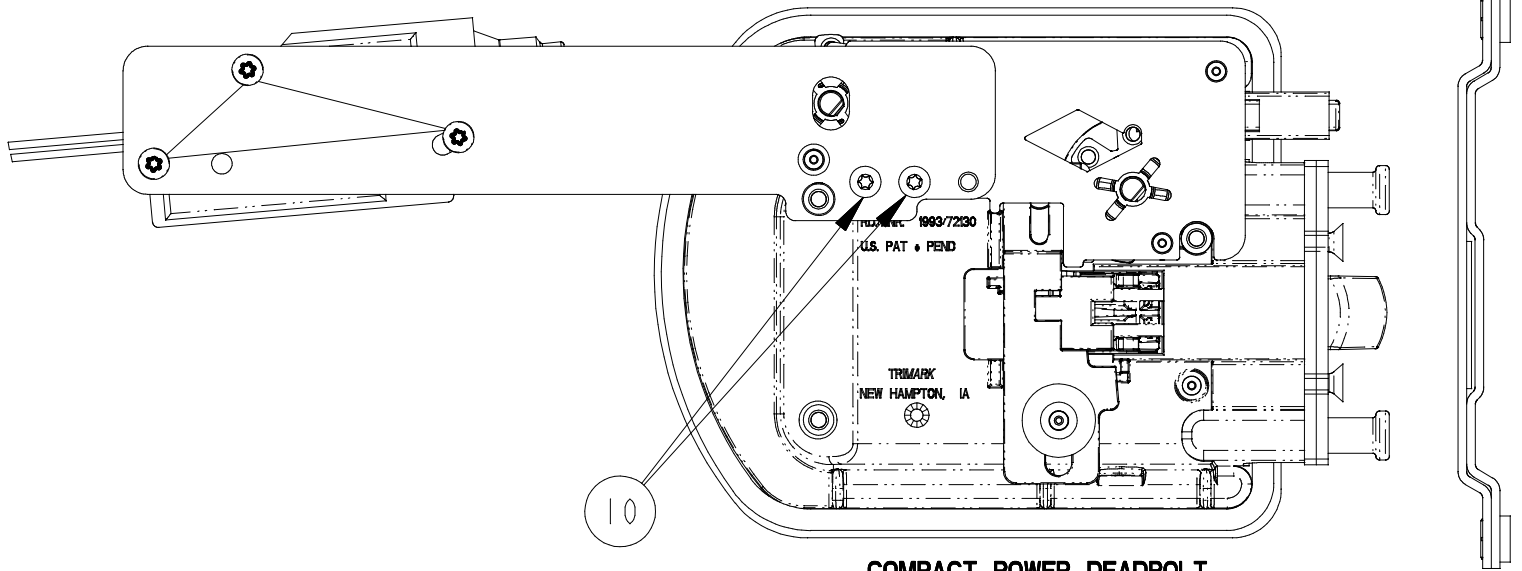


NOTES:

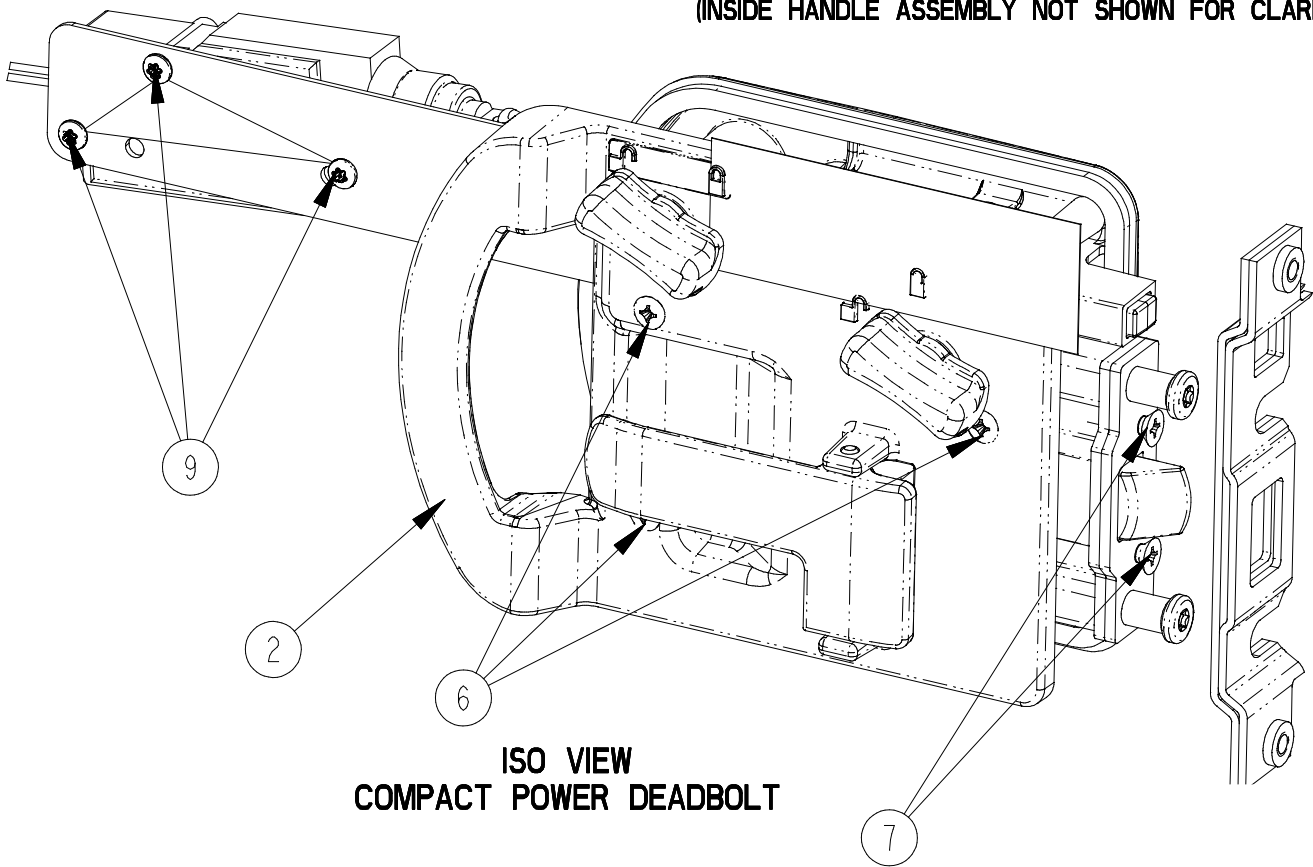
- 1 HARDWARE SHOWN IS MEANT FOR DOOR THICKNESS RANGES 1.39"-1.58" THICK.
- 2 FASTENERS USED TO ASSEMBLE STRIKE ASSEMBLY TO DOOR FRAME TO BE SUPPLIED BY THE CUSTOMER.

DRAWN BY		
CHK'D BY		
RLSE DATE		

<b>TYPICAL APPLICATION</b>	
<b>SCALE</b>	<b>DESCRIPTION</b>
0.5	060-1650, 060-1625, TYPICAL APPLICATIONS
<b>SIZE</b>	
<b>A</b>	
<b>REVISION</b>	<b>PART NUMBER</b>
	TY060-1650A



**COMPACT POWER DEADBOLT  
(INSIDE HANDLE ASSEMBLY NOT SHOWN FOR CLARITY)**

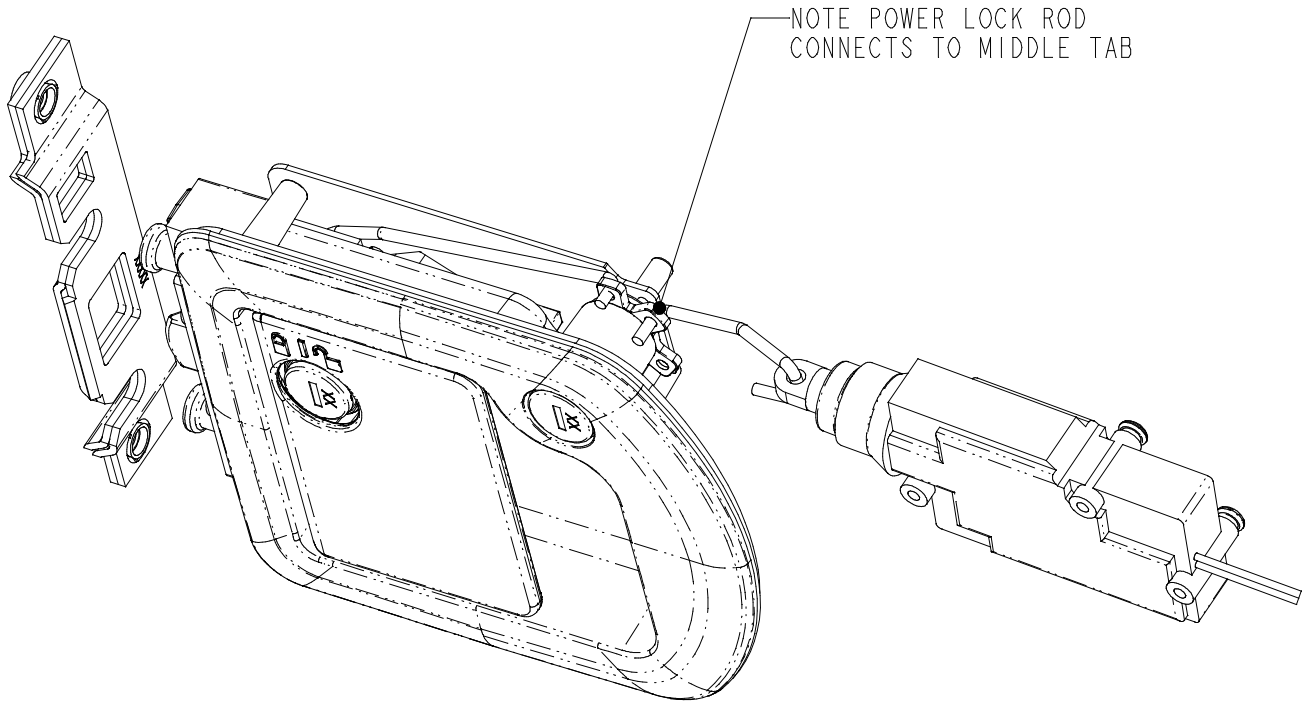


**ISO VIEW  
COMPACT POWER DEADBOLT**

DRAWN BY		
CHK'D BY		
RLSE DATE		

**TYPICAL APPLICATION**

<b>SCALE</b>	<b>DESCRIPTION</b>
0.5	060-1650, 060-1625, TYPICAL APPLICATIONS
<b>SIZE</b>	
<b>A</b>	
<b>REVISION</b>	<b>PART NUMBER</b>
	TY060-1650A



**POWER ROD CONNECTION VIEW  
 COMPACT POWER DEADBOLT  
 (POWER MOUNT BRACKET & INSIDE ASSEMBLY REMOVED FOR CLARITY)**

<b>DRAWN BY</b>		
<b>CHK'D BY</b>		
<b>RLSE DATE</b>		

<b>TYPICAL APPLICATION</b>	
<b>SCALE</b>	<b>DESCRIPTION</b>
0.5	060-1650, 060-1625, TYPICAL APPLICATIONS
<b>SIZE</b>	
<b>REVISION</b>	<b>PART NUMBER</b>
<b>A</b>	TY060-1650A